

"CARROT " : Support Seat for your car



# INSTRUCTIONS

## Before using a CARROT

To ensure safe use of CARROT please read and observe the instructions, particularly, the Safety Precautions.

Please understand that the instructions must be changed according to the difference of the specifications.

### KEEPING of the instructions

A letter of guarantee, is included in the last page. Please keep carefully so that you can take out whenever you need.

The instructions must be always with the product, when you hand over or lend it .



EURO CARROT II passed the crash test with a 49kg dummy

European Safety Standards "ECE R 44/04 Special Needs Restraint" approved

CARROT is a support seat developed for disabled children to enjoy safety and comfortable drive on your car.

## BEFORE USING CARROT

### Who can use?

Age : 3 around 15 ( depending on a user's physique. See the size table.)

Weight: 15 below 49kg

### Do not use the following car seats for a CARROT .

- a car seat without a seat belt
- a car seat fixed sideways, or backward
- a car seat of under 40cm in depth
- a car seat with an extreme dent on the seat, which leads to unstable fixing
- a car seat with a waist belt with ELR
- a car seat with a passive seat and 2 point system ELR

### SAFETY PRECAUTIONS

**Warning [ This symbol denotes that improper handling poses a high risk of causing death or serious injury.]**

Do not use a car seat without a seat belt.

Before attaching, make it sure that the seat belt is not twisted, and the buckles are locked.

Do not use a car seat with an extreme dent on the seat, which leads to unstable fixing.

There are various types of seat belts. Before attaching, make sure the type of your seat belt in your car instructions. CARROT must be attached facing the front with the seat belt of your car.

For your safety, do not keep using CARROT after shocked by a strong collision, even if it looks with no damage.

Do not leave a CARROT in your car, but keep it in a trunk when you do not use. Hold it with a fixing belt in a car. (In case of an accident, it is very dangerous)

To protect a child from a burn with heated metal parts in your car, make sure the temperature of these parts in hot season.

Do not panic in case of an emergency such as an accident. Unlock the buckle, then take a child out of the seat.

Do not use without a cover and urethane.

Do not take the parts apart or remodel of the product.

Fix luggage or belongings firmly so that you are not injured with them in case of a collision.

Take care if hard parts of the system are caught in the seat or the door, when you attach the junior seat to your car seat.

Use soft materials( as urethane) of the manufacturer recommended when you change it, unless the efficiency falls.

Do not leave the child in a car without the protector.

The instructions must always be with the product. Do not forget it when you hand over to your friends.

When you have any questions of using and mending ways, please contact with the shop you bought or with us.

Specifications might be changed without notice, because of the improvement of the product.

# THE WAY TO ADJUST

You can adjust the height of the headrest, the backrest, and the chest pad, and also the depth of the seat.

To decide the height and the depth to adjust, you put the product on your car seat tentatively, with your child sitting on.

## 1. Height of the headrest ( able to adjust by 25mm x 4 pitches )

Push the two buttons at the base of the headrest pipe, and pull out the headrest.

For the height of more than 50 mm, you need to place the 50mm neck pad, an optional pad.

For the height of 100 mm, place the 100 mm neck pad, an optional part.



Push the two buttons at the base of the pipe, and pull out the headrest to adjust.



Do not forget to put the pipe through the cut on the back of the neck pad. Velcro tape is on the underside.



The neck pad is put on the pipe



The headrest is placed on the body.

## 2. Height of the backrest ( able to adjust by 25 mm x 4 pitches )

Push the two buttons on the underside of the backrest, and pull out the backrest.

Place the 50 mm or 100 mm back extension pad, an optional part, to fill a gap.



Push the two buttons on the underside of the backrest, and pull out the backrest.



The backrest is pulled out.



The extension pad is placed.

## 3. Depth of the seat ( able to extend 50 mm or 100 mm )

Loosen the fixation screws under the seat and draw out the seat.

Place the 50 mm or the 100 mm seat extension pad, an optional part, and fix the fixation screws.

Standard specification is designed to sit with legs stretching out, but using the seat extension kit A or the step kit make it possible to sit with knees bending.



Loosen the fixation screws under the seat.



The seat is extended.



The seat extension pad is placed in the gap.

#### 4. Height of the chest pad ( able to adjust 250 mm)

You can adjust with the belt adjuster under the chest pad at the proper height of your child.

\* Ensure that the belt is locked by pulling it with hands after adjustment.



Loosen the belt of the adjuster belt and decide the height.



Lock the belt after putting it through the adjuster. Put the rest of the belt into the gap of the buckle underside.



Ensure by pulling it out with hands that the belt is surely locked.

## HOW TO ATTACH A CARROT TO YOUR SEAT

### Attaching a CARROT to your car seat

1. Attach the junior seat firmly to your car seat with the fixed belts both on the upper and the lower parts of the CARROT back seat.

In case of a separated car seat, use the upper and the lower fixed belts.

When you have a bench seat, fix it with the upper and the lower fixed belts turning vertically, or only with the upper belt turning around the head rest.

Please remember, CARROT needs a seat belt of three-point-style to fix to your car seat of any kind.



**the fixed belt on the upper part of the back seat**

Lift up the head rest of your car seat, adjust the length of the belt, and fix firmly

**the fixed belt on the lower part of the back seat**

Adjust the length of the belt at the lower part of the back seat of your car seat



passing the belt through a D ring



turning and passing the belt between the two D rings, and pulling out to fix

# USING YOUR CARROT

Let's try CARROT after adjusting and fixing to your car seat.

1. With one touch of a button, you can adjust the belt to get on and off.

CARROT's non-escape system keeps your child safe, and it makes possible to adjust the length of the belt with one touch of a button.

Getting out: push the release button of the hand-operated belt adjuster on the inner part of the front seat, then the shoulder belt is released and the belt is pulled out.

Getting on: Shorten the shoulder belt by pulling the belt on the front seat.



pushing the release button to pull out the belt



pulling out the belt of the hand-operated belt adjuster to shorten the shoulder belt

2. A SEAT BELT OF THREE-POINT-STYLE is a necessary article to fix "CARROT" to your car seat.

Please remember, "CARROT" needs a seat belt of three-point-style on your car seat.

After fixing CARROT to the seat belt of three-point-style, make sure that a child's neck and face are not disturbed by the belt.

Pass your seat belt through the shoulder belt guide on the upper part of CARROT, and the waist belt guide on the waist part. Both are colored red.

3. Do not recline the back seat too much.

Too much reclining may lead the seat belt useless and dangerous.

4. CARROT itself does not ensure your safety in case of collision.

CARROT is developed to hold the sitting position in a car for children who have difficulty to hold the position.

It is risky to keep a child lying flat on his back in a moving car, because the seat belt does not work in this position.

When using CARROT II, do not forget to use the seat belt of your car along with the CARROT II main body belt and pads appropriately adjusted.

Use the 3-point seat belt of your car as in the case of an adult.



Put the seat belt of your car through the belt holder of the back.

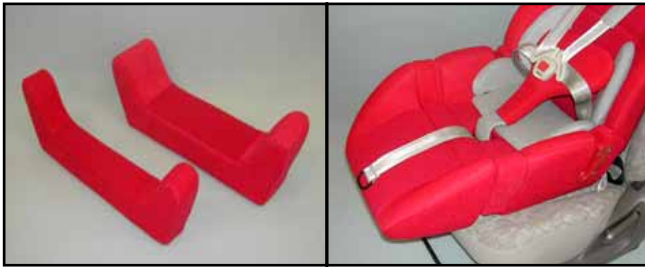


Put the seat belt of your car through the belt holder of the seat.



Fix the seat belt of buckle side of your car through the belt holder.

# OPTIONAL PARTS



seat extra pads 50m/m 100m/m

Attachment is completed



triangle mat



Attachment is completed



kit A



Attachment is completed



neck pad 100m/m



Attachment is completed



cushion table



Attachment is completed



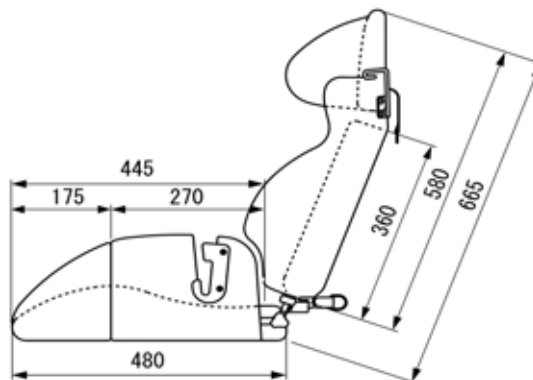
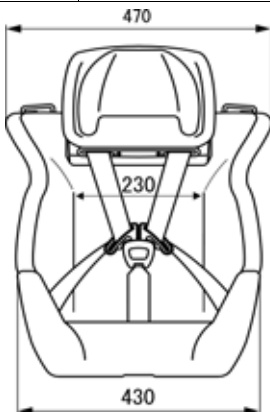
back extra pads 50m/m 100m/m



example of a step kit putting together

# SIZES OF PARTS

whole width	470mm	width of the trunk	about 230mm
seat depth	270mm(without the front seat)	height of the back seat	580 ~ 680mm
	445mm(standard)	weight	8kg
	495mm(with 50mm extra pad)	applied weight	15 ~ under 49kg
	545mm(with 100mm extra pad)	applied age	3 ~ around15



# COVER REMOVE INSTRUCTIONS

Remove the covers as follows. (You can put them on in reverse order)



1 Take away the shoulder belt at two points on the back of the seat back.



8 Take away 4 bolts of the belt holders L/R on the side of the back cushion with a +screwdriver.



2 Take off the headrest.



9 Take away 2 handle nuts on the back of the back cushion.



3 Take off the tongue plate out of the buckle.



10 Take away the cover by peeling out the velcro on the front.



4 Take away the chest pad by pulling out the belt from the belt adjuster on the lower edge of the chest pad.



11 Take away the cover by peeling out the velcro on the back of the front cushion.



5 Take off the handle screws of both sides at the attaching part of the back and the seat with a 10mm screw wrench.



12 Take away the cover by opening the zip fastener on the back of the chest pad.



6 Take away 4 bolts from the belt holders L/R on the upper part of the seat back with a + screwdriver.



13 Take off the belt holder with a cross slot (+) screw driver.



7 The cover is taken away by opening the zip fastener after peeling out the velcro .



14 You can take off the cover by opening the fastener after taking off the Velcro.

NOTE: 1 Wash with hands, do not use the washing machine.

# LIMITED WARRANTY

1. The product is warranted free of charge during the period of a guarantee in case of the troubles caused by defects in material.
2. The product is warranted for a period of one year after purchase.
3. This warranty does not cover the following cases. You will bear the cost.
  - (a) failure and improper use
  - (b) modification
  - (c) damages by natural calamity
  - (d) the guarantee certificate without the name and the seal of the dealer where you purchased the product
  - (e) in case you do not show the guarantee certificate
4. This warranty is valid only in case the product is installed in Japan.
5. This guarantee certificate shall not limit your legal rights.

## Maintenance Service

In the event of a problem during the period of the warranty, please contact the dealer where you purchased the product with the guarantee certificate.

### CAUTION

# GUARANTEE CERTIFICATE

## GUARANTEE CERTIFICATE

model		CARROT		
customer	address			
	name		TEL	
date of purchase				
dealer				
general agency				